

## IN-SIGHT 7000 SERIES VISION SYSTEM

The In-Sight® 7000 series vision system represents a breakthrough in flexibility, performance and ease of integration. This powerful vision system performs fast, accurate inspections while its compact footprint easily fits into space-constrained production lines. The unique, modular design is highly field-customizable to your application requirements.

### Enhanced performance keeps pace with increasing line speeds

With ever-increasing production line speeds, customers no longer have to choose between high-speed and industrial performance—the In-Sight 7000 offers both! With blazing fast acquisition and industry leading vision tools, including PatMax RedLine®, SurfaceFX™, OCRMax™, PowerGrid®, Hotbars®, and color ID tools, the In-Sight 7000 vision system quickly locates the part and accurately performs the necessary inspection.

### Flexible design is field customizable to your application

When it comes to factory automation, one size rarely fits all. That's why the In-Sight 7000 is designed with Flexible Image Technology™ (FIT™) that optimizes image formation and minimizes the need for expensive external lighting. Field-changeable and user-configurable lighting and optics modules provide users with ultimate flexibility to customize the system for their application.



## Full-featured system to tackle a wide range of vision applications

The In-Sight 7000 vision system is engineered with the full suite of powerful Cognex vision algorithms and convenient features to help you solve your applications easily and reliably.

Suite of enhanced vision tools including PatMax RedLine, SurfaceFX, OCRMax, PowerGrid, Hotbars, and color ID tools for rapid part location and inspection.

Onboard SD card for additional data storage and easy transfer of job files between systems.

Flexible Image Technology (FIT) optimizes image formation and minimizes the need for expensive external lighting.

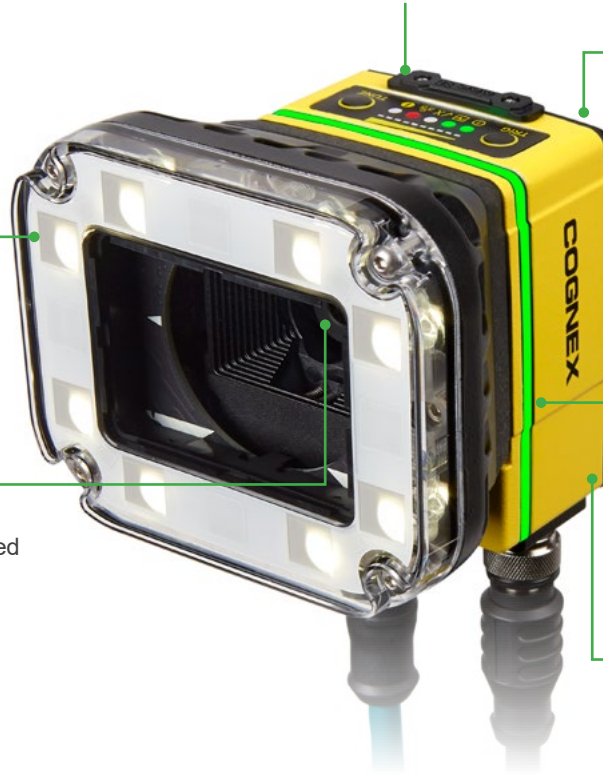
Field changeable C-mount and S-mount lenses and an autofocus option for best image resolution based on working distance.



Extended heat sink on In-Sight 7905 5MP high resolution model.

Wrap-around LED indicator light provides clear visual pass/fail inspection results that can be seen from a distance regardless of product orientation.

IP67-rated housing provides protection in harsh factory environments.



### Additional internal lighting options

In addition to other small form factor lights, the In-Sight 7000 is compatible with the high-powered integrated lighting module (HPIL) used with DataMan® 360 series barcode readers. The high-powered integrated lighting module offers diffuse illumination ideal for inspecting parts at varying working distances (Not supported on 5MP model.)

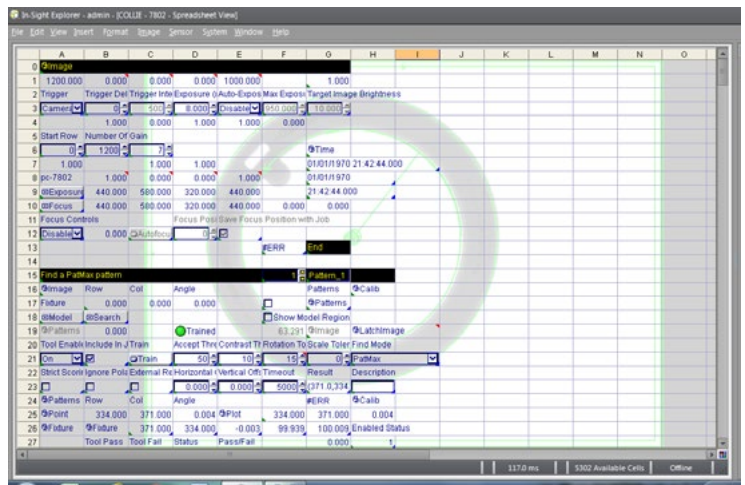


## Integrates easily into your system infrastructure

Like all In-Sight vision systems, the In-Sight 7000 uses In-Sight Explorer EasyBuilder® to set up and monitor machine vision inspections. The intuitive interface guides operators through a step-by-step setup process allowing both novice and experienced users to configure vision applications quickly and easily.

The majority of applications can be solved using the point-and-click EasyBuilder interface, however should your application requirements change, the In-Sight spreadsheet provides you with ultimate control through direct access to the vision tools and communication options. Access to the spreadsheet not only provides programming flexibility to make essential adjustments, it also offers assurance that you will be able to solve any of your vision applications.

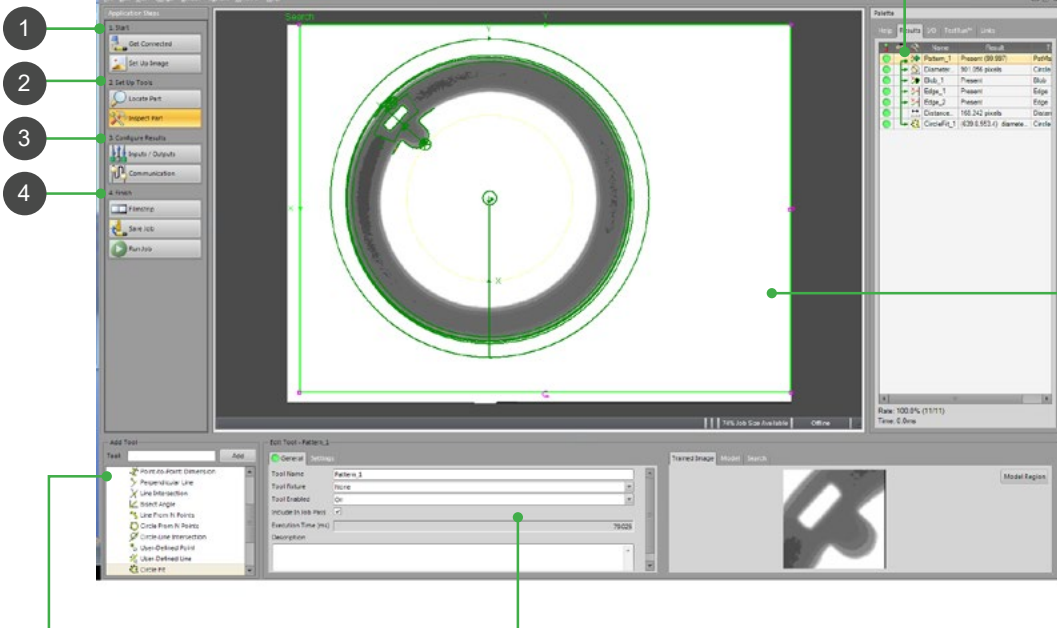
[cognex.com/easybuilder](http://cognex.com/easybuilder)



*In-Sight spreadsheet provides ultimate control and direct access to vision tools.*

The EasyBuilder user interface provides intuitive steps for even the most difficult applications. With no programming or spreadsheets needed, applications are deployed at breakthrough speed.

Four simple steps guide you through the setup process.



**Results table**— Consolidates tool results for easy viewing and helps users understand tool dependencies and performance timing.

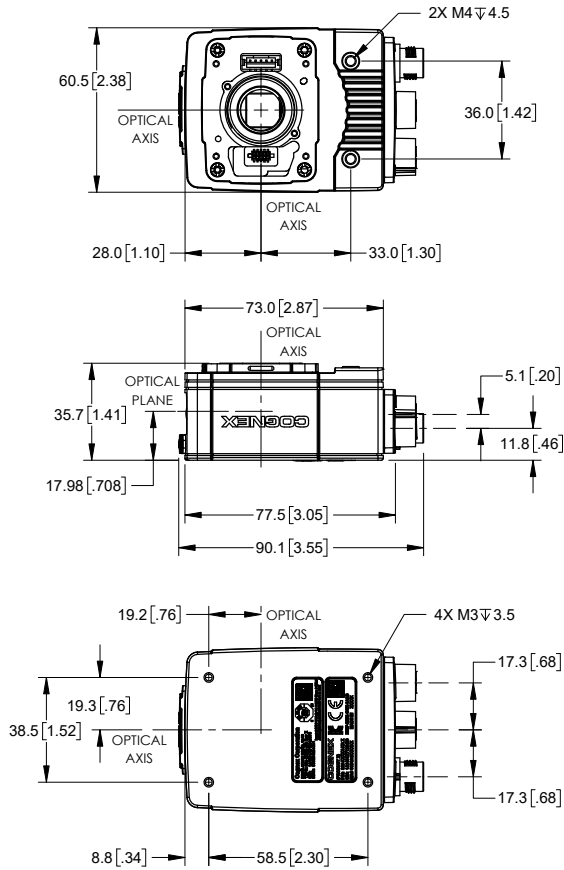
**Image centric**— Point-and-click approach lets users drop in tools quickly by simply clicking on the features of interest.

**Tools palette**—Comprehensive set of vision tools for locating, measuring, counting and identifying features, plus math, logic, geometry and graphic display tools.

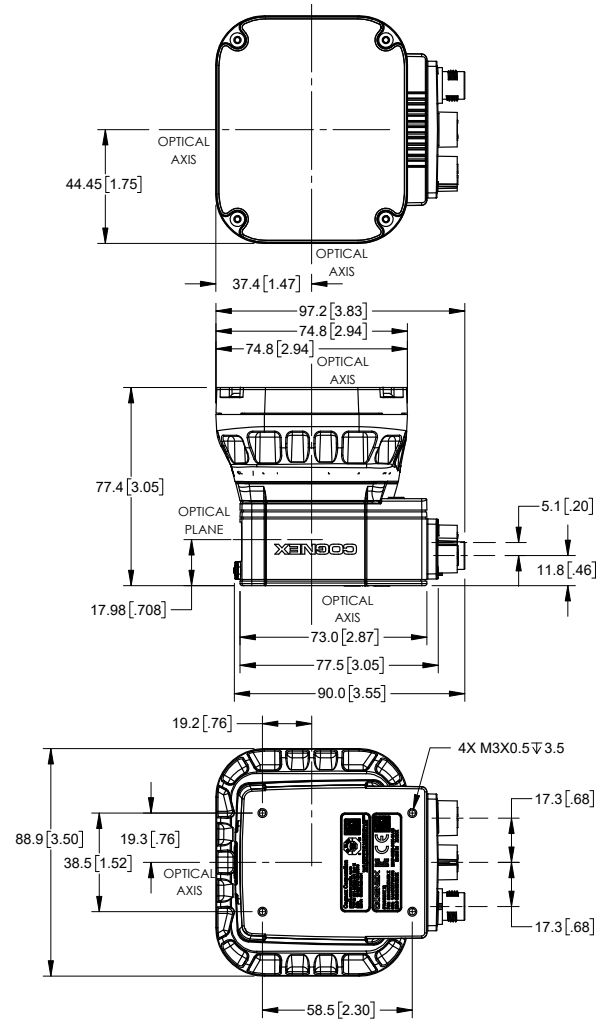
**Settings pane**—Configures all vision tool parameters and settings.



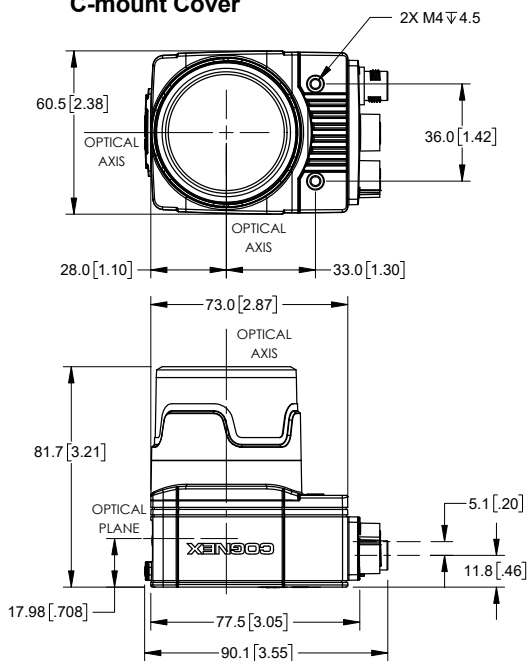
### In-Sight 7000 Base Unit



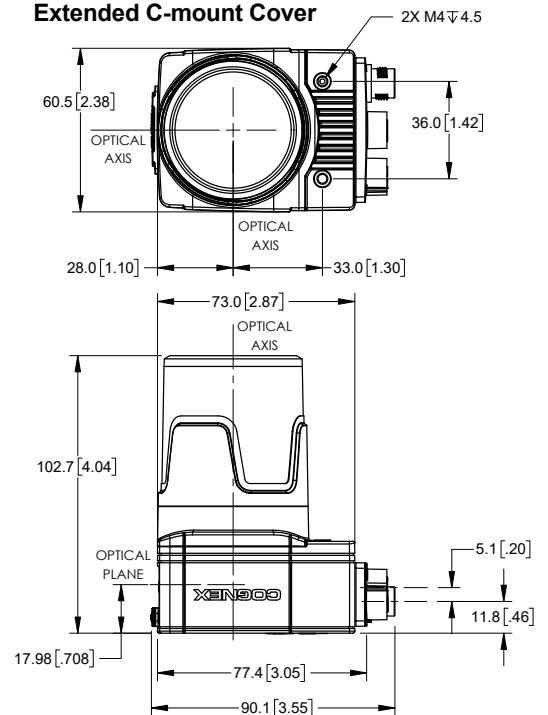
### In-Sight 7000 with Internal Lighting



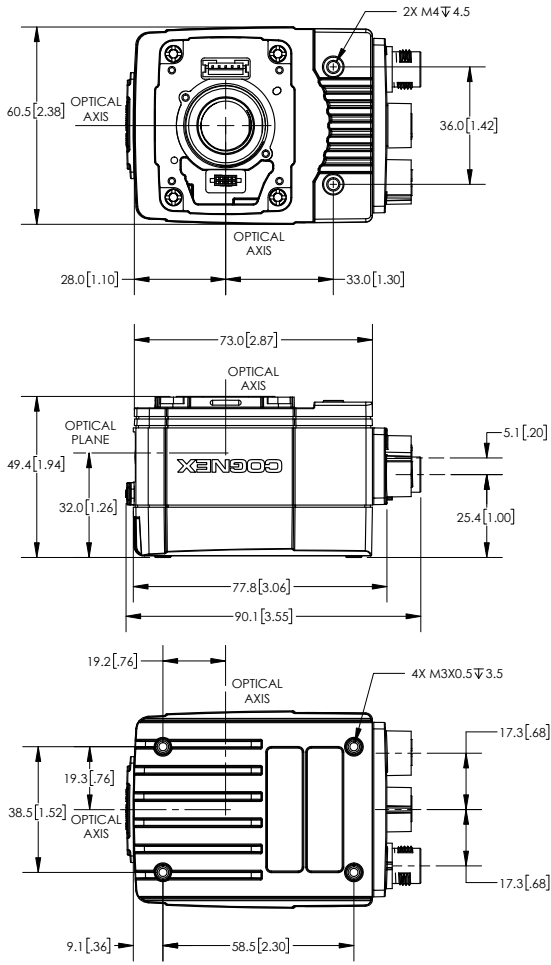
### In-Sight 7000 with C-mount Cover



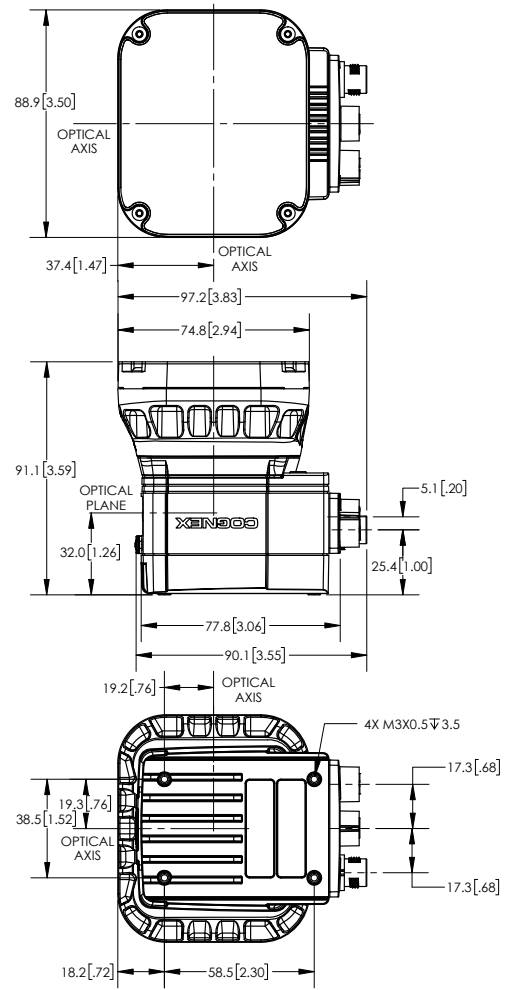
### In-Sight 7000 with Extended C-mount Cover



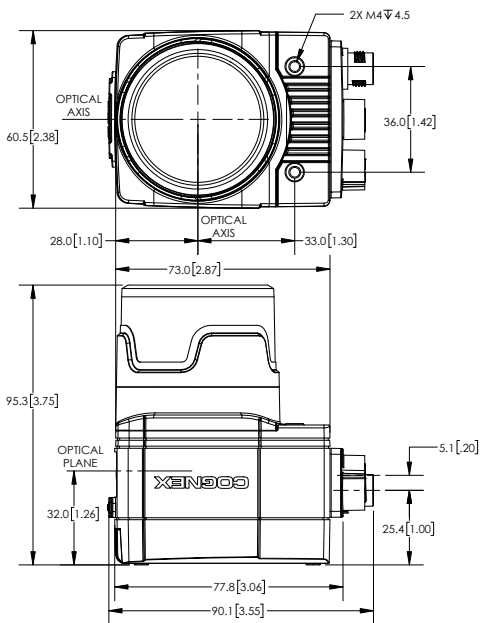
### In-Sight 7905 Base Unit



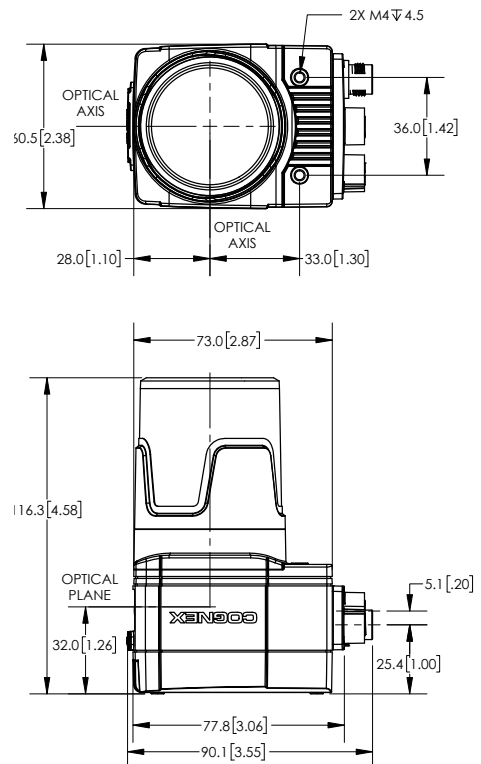
### In-Sight 7905 with Internal Lighting



### In-Sight 7905 with C-mount Cover



### In-Sight 7905 with Extended C-mount Cover



# SPECIFICATIONS

		7500	7501	7600	7800	7801	7802	7802P	7900	7901	7902	7902P	7905
Image Type		Monochrome and color						Monochrome	Monochrome and color			Monochrome	Monochrome and color
Performance Factor		0.6x		1x	2.3x			2.5x					
Job/Program Memory		7.2 GB on board + 8 GB on SD card											
Image Processing Memory		512 MB SDRAM											
Sensor Type		CMOS, global shutter											
Resolution (pixels)		640 x 480/ 800 x 600 <sup>1</sup>	1280 x 1024	640 x 480/ 800 x 600 <sup>1</sup>	1280 x 1024	1600 x 1200	1920 x 1200	640 x 480/ 800 x 600 <sup>1</sup>	1280 x 1024	1600 x 1200	1920 x 1200	2448 x 2048	
Acquisition Rate (fps)	Monochrome	217/165	76	217/165	76	53	55	217/165	76	53	55	32	
	Color	135/100	45	135/100	45	33	n/a	135/100	45	33	n/a	17	
HDR Support		No	No	No	No	No	No	Yes <sup>2</sup>	No	No	No	Yes <sup>2</sup>	Yes <sup>2</sup>
Lens Type		C-mount, S-mount/M12, Autofocus											
Light Options		Internal light, DataMan 360 light, external light powered by In-Sight or external light independent power										Internal light, external light powered by In-Sight or external light independent power	
Internal Light Color		Red, white, IR, or blue											
Indicator LEDs		SD card status, pass/fail LED, 360-degree viewing indicator ring, network LED and error LED											
Built in IO		1 dedicated trigger in, 1 input, 2 outputs, 2 bi-directional/configurable, and RS-232. Additional I/O available via external I/O modules: CIO-MICRO or CIO-1400											
Power		24 VDC											
Industrial M12 Connectors		3: Power and I/O, Ethernet, and External light power/control											
Protection		IP67 with internal light option or C-mount lens cover											
Network Communications		1G (1000)/100/10 Mbps											
Industrial Protocols		OPC UA, EtherNet/IP with AOP, PROFINET Class B, iQSS, CC-Link IE Field Basic, SLMP/SLMP Scanner, Modbus TCP, IEEE 1588 (CIP Sync)											
General Protocols		TCP/IP, UDP, FTP, SFTP, Telnet, SMTP, RS-232											

<sup>1</sup> Software configurable

<sup>2</sup> HDR supported on Monochrome models only

Note: All models (except 7500/7501) have full vision tool suite with PatMax, PowerGrid, and Hotbars. PatMax RedLine tool is optional.



Companies around the world rely on Cognex vision and barcode reading solutions to optimize quality, drive down costs and control traceability.

Corporate Headquarters One Vision Drive Natick, MA 01760 USA

## Regional Sales Offices

### Americas

North America +1 844-999-2469  
Brazil +55 (11) 2626 7301  
Mexico +800 733 4116

### Europe

Austria +49 721 958 8052  
Belgium +32 289 370 75  
France +33 1 7654 9318  
Germany +49 721 958 8052

Hungary +36 800 80291  
Ireland +44 121 29 65 163  
Italy +39 02 3057 8196  
Netherlands +31 207 941 398  
Poland +48 717 121 086  
Spain +34 93 299 28 14  
Sweden +46 21 14 55 88  
Switzerland +41 445 788 877  
Turkey +90 216 900 1696  
United Kingdom +44 121 29 65 163

### Asia

China +86 21 6208 1133  
India +9120 4014 7840  
Japan +81 3 5977 5400  
Korea +82 2 530 9047  
Malaysia +6019 916 5532  
Singapore +65 632 55 700  
Taiwan +886 3 578 0060  
Thailand +66 88 7978924  
Vietnam +84 2444 583358

© Copyright 2020, Cognex Corporation.

All information in this document is subject to change without notice. All Rights Reserved. Cognex, In-Sight, PowerGrid, Hotbars, PatMax RedLine, DataMan and EasyBuilder are registered trademarks of Cognex Corporation. OCRMax, SurfaceFX, Flexible Image Technology, and FIT are trademarks of Cognex Corporation. Lit. No. DS-IS7000G2-10-2020

[www.cognex.com](http://www.cognex.com)